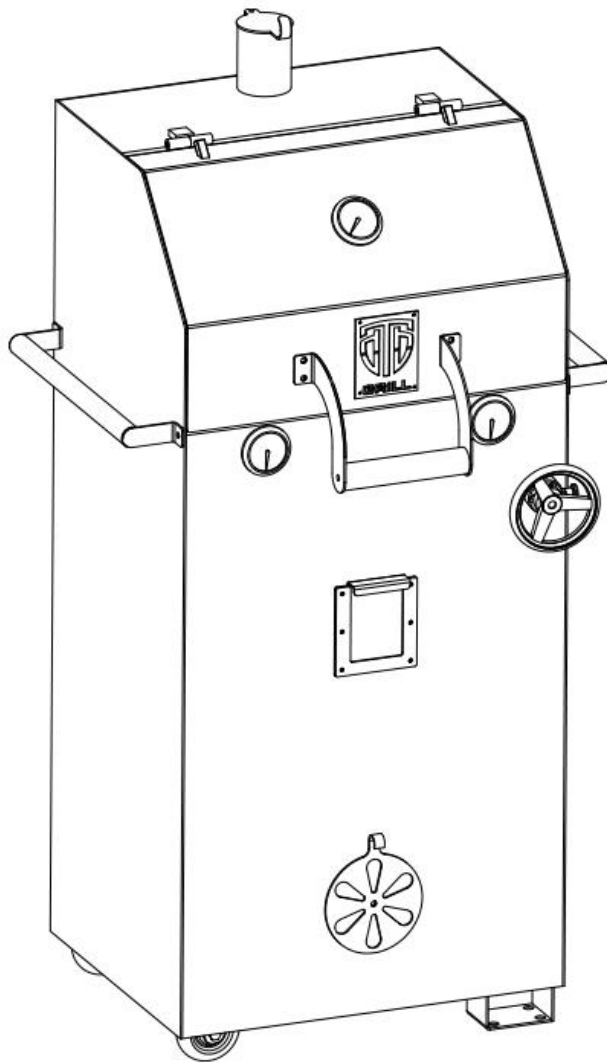




# Assembly Instruction



**Step 1 : Assemble the chimney cap**

Use 1pcs of M5 X 10 Screw to assemble the chimney cap onto the chimney

**Step 2: Assemble the side handle**

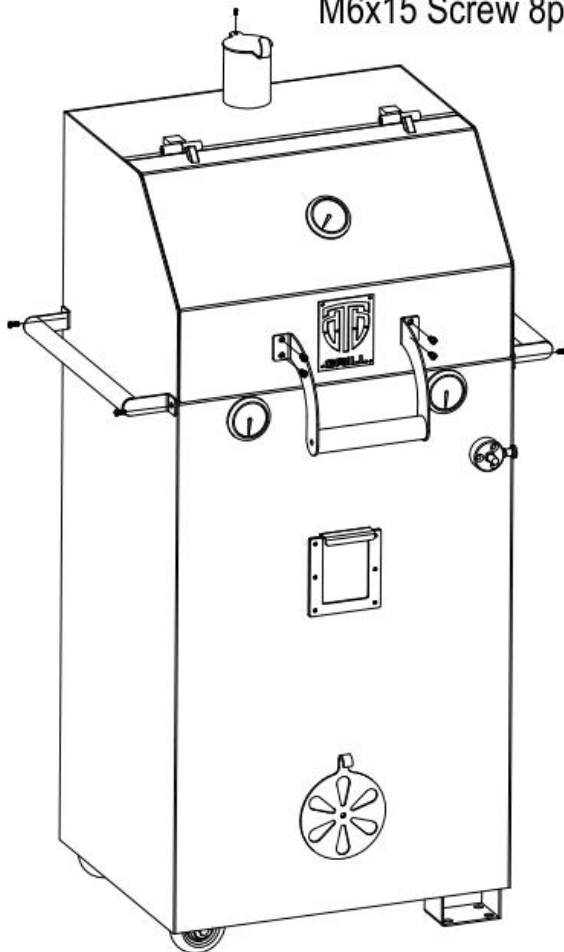
Use 2pcs of M6 X 15 Screw to assemble both side handles onto the grill body

**Step 3 : Assemble the front lid handle**

Use 4pcs of M6 X 15 Screw to assemble the front lid handle onto the front lid

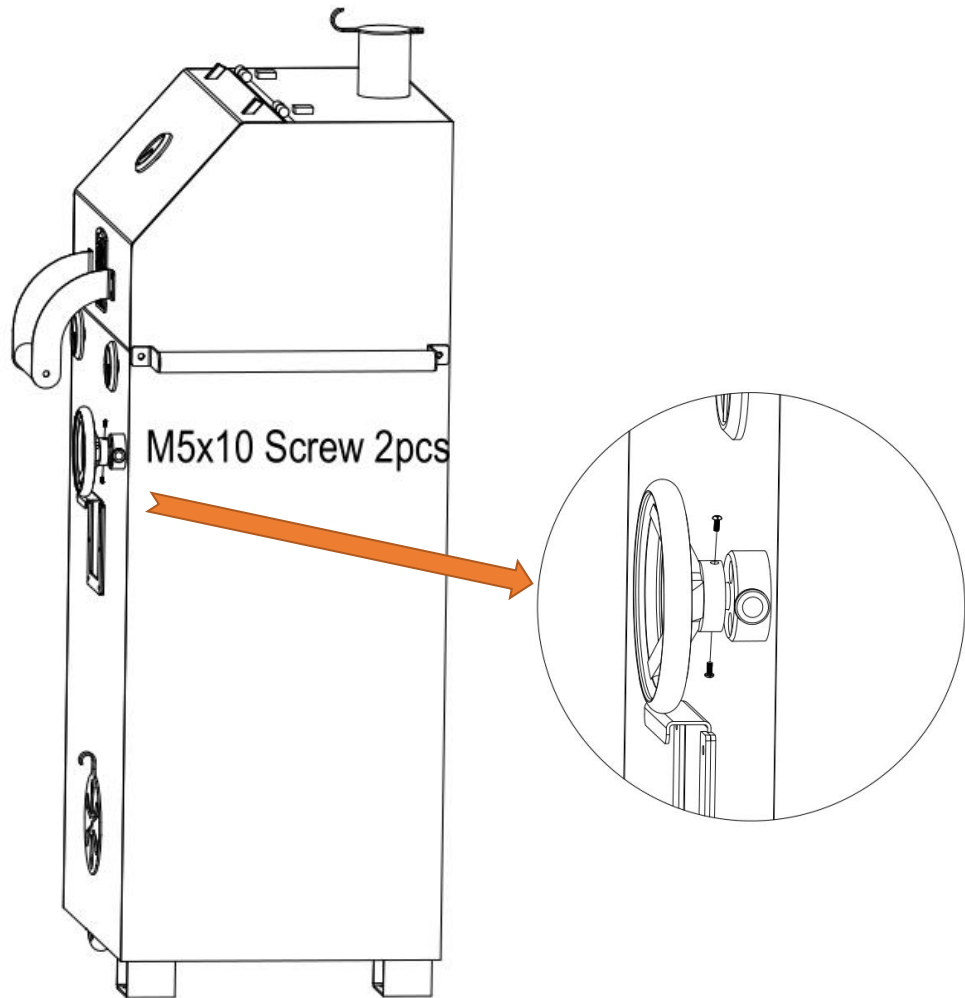
M5x10 Screw 1pcs

M6x15 Screw 8pcs

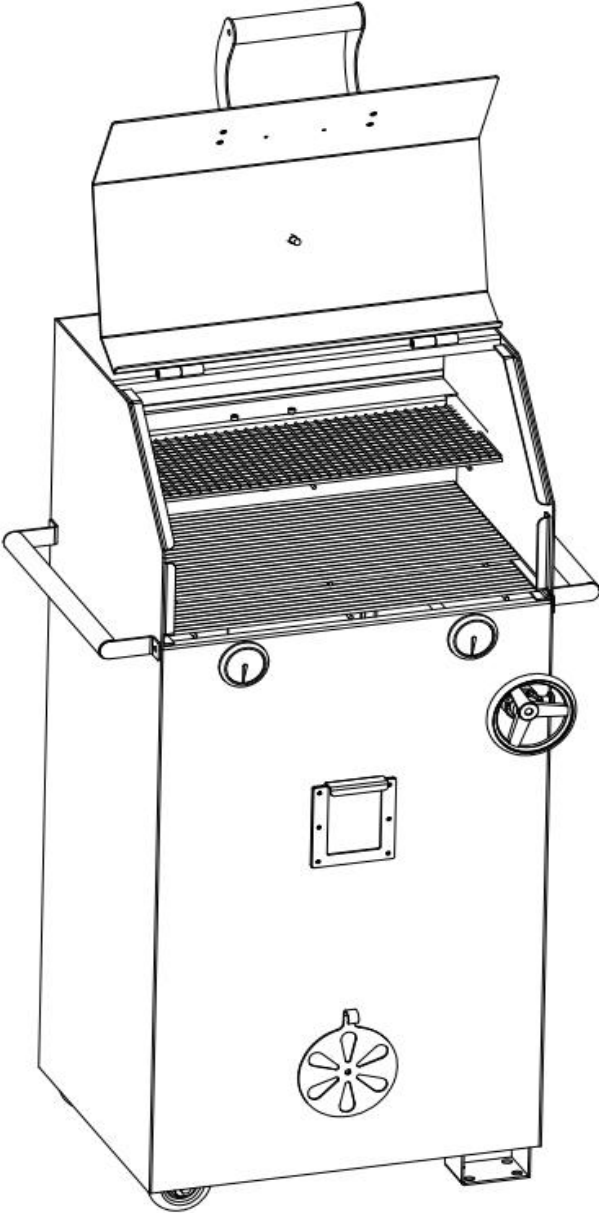


**Step 4: Assemble rotating wheel**

Use 2pcs of M5 X 10 Screw to assemble the rotating wheel onto the grill body



**Step 5 : Place the Grill Grates onto the grill and start to enjoy the Grilling**





## **Important, Retain for future reference: read carefully!**

Attention! Check all parts for completeness, before beginning the assembly.  
Attention! To avoid accidents or injuries from sharp edges assemble and use with caution.  
For assembly all tools are packed inside of this barbecue.  
We recommend you assemble the appliance with two persons.

### **Consider before use:**

- Do not move While the appliance is hot.
- Due to safety reasons do not use this appliance with liquid fuels.  
Recommend to use charcoal with max amount of 3kg.
- This barbecue should be installed on a flat and levelled surface, away from flammable materials and substances.

### **Notes For use:**

- 1.** Distribute the solid firelighters in the centre of the firebox.
- 2.** Stack up the coal in a pyramid above the firelighters.
- 3.** Light the solid firelighters with a match.

4. Grease the grill with some vegetable oil
5. Only place food on the grill after the fuel is covered with an ash layer
6. Control the amount of air supply from the bottom to the fuel using the air vent on the bottom and top.
7. The barbeque should be heated up to at least 150C prior for the first cooking.

**Warning!** This barbeque will become very hot, do not move it during operation.  
Do not use indoors!

**Warning!** Do not use spirits or petrol for lighting or re-lightning. Use only firelighters complying to EN 1860-3!

**Warning!** Keep Children and pets away.

**Warning!** Do not use the barbeque in a confined and/or habitable space e.g. house, tents, caravans, motor homes, boats. Danger of Carbon monoxide poisoning fatality.

**Attention!** Always wear gloves when adjusting the grill or other gripping device, the handles of the grill can become very hot during the grilling process.

**Important!** Do not pour water into the appliance while it is still hot.

**Important!** Close the ventilation slider on bottom and top to extinguish the appliance.

### **Maintenance & storage:**

- Clean the appliance with water. Use mild detergent where necessary.
- If the appliance is damaged, please arrange for a qualified technician to repair the product.
- Store the appliance in a dry and clean area.

### **Warranty:**

A statutory warranty applies for this product.

Damages caused by wrong treatment or operation, by false placement or storage, improper connection or installation, as well as force or other external influences are not covered by this warranty. We recommend careful reading of the operating instructions as it contains important information.